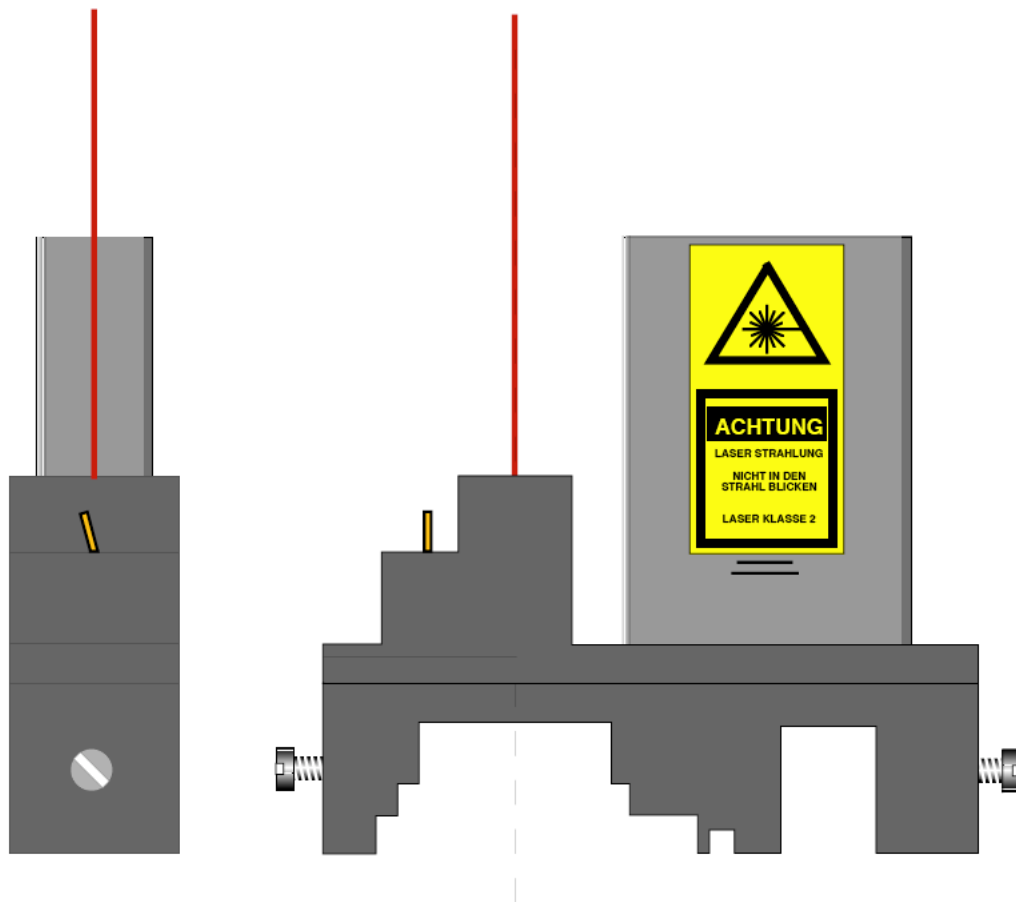


Laser Adjustment aid JHL 2



Easy alignment of light curtains and -grids

Considerably simplifies the alignment via deflection mirrors

High-precision alignment

Optimal visible laser beam for long distances as well

Adapted for all light barriers

Integrated adapter for all Fiessler light curtains

Fast mounting by elastic band

Long life by 3 AAA batteries

Easy change of batteries - comes with protective bag



Typ 4
EN 61496



DIN EN ISO 9001
Reg.Nr. 96007



optional



Application: The laser adjustment aid makes the alignment of safety light curtains, -grid and barrier for long distances easy. Place the laser adjustment aid on the front window of the transmitter and receiver. The laser adjustment aid has to be evenly placed on the housing. The fixation can be carried out at the backside of the light curtain housings by the help of the rubber band. By switching on the on/off switch, the laser generates a red visible light spot which is visible even over long distances. The spot has to be aimed at the middle of the opposite housing. This test must be carried out on both ends of transmitter and receiver. If necessary, please realign/readjust the housing. Follow also the described alignment description for safety light barrier in the respective manual.

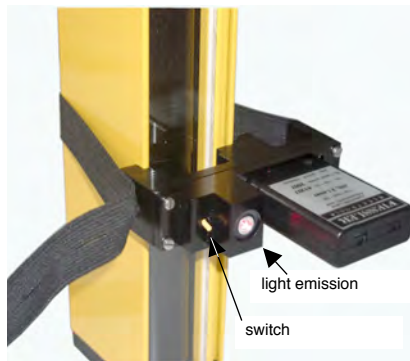
Scope of delivery:

- laser module
- rubber band
- protective bag
- Batteries 3xAAA



Laser class 2. Don't look directly into the laser beam!

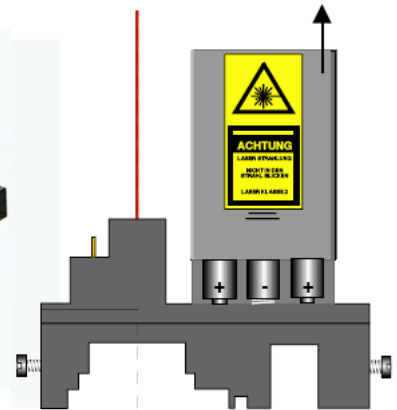
Operation:



Fixation on XLVT housing

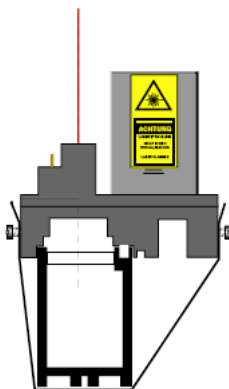


Column mounting
mount the elastic band only on one screw

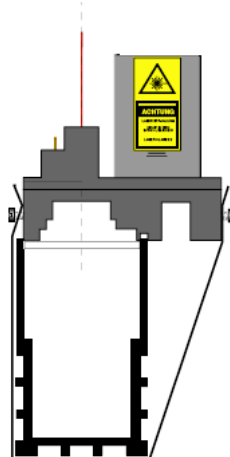


Battery change
3xAAA batteries (LR03 Micro) Alkaline

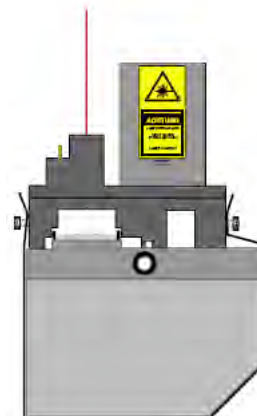
Fixation examples :



XLVT, XLCT



LSUW



EU2K, UGC, MFL

